



IONA

By LandingZone

OWNER'S MANUAL

For additional languages, please visit
LandingZone.net/user-guides

Dear IONA owner,

Thank you for your purchase of the LandingZone IONA. This iPhone® dock was designed by the award-winning industrial designer, Mike Nuttall.

We hope it provides you with great satisfaction. This manual is designed to easily walk you through how to use it.

If you have any questions or need support, please feel free to contact us anytime at Customer Support by emailing **support@landingzone.net** or by calling **888-872-3251**.

Sincerely,

Team LandingZone
infiniWing, Inc.

Model Number

LP1006

Compatibility

To see the most current compatible models, please visit **LandingZone.net**

Standard iPhone cases are also compatible.

What's in the Box?

- LandingZone IONA
- Owner's Manual
- Spacers for connecting your Lightning™ Cable

Benefits

The LandingZone IONA is an attractive and simple to use dock for your iPhone.

The setup is quick and allows you to leave the iPhone conveniently docked.

The iPhone is designed to sit at the ideal angle and height for viewing next to your MacBook.

Dock your iPhone to charge and sync, and use it as a second screen.

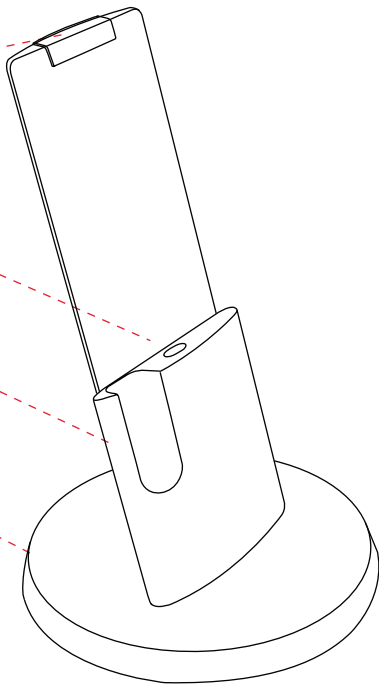
Features

Clear Bumper for iPhone without case

C-Holder for Lightning Cable connection

Plastic cover to protect the C-Holder

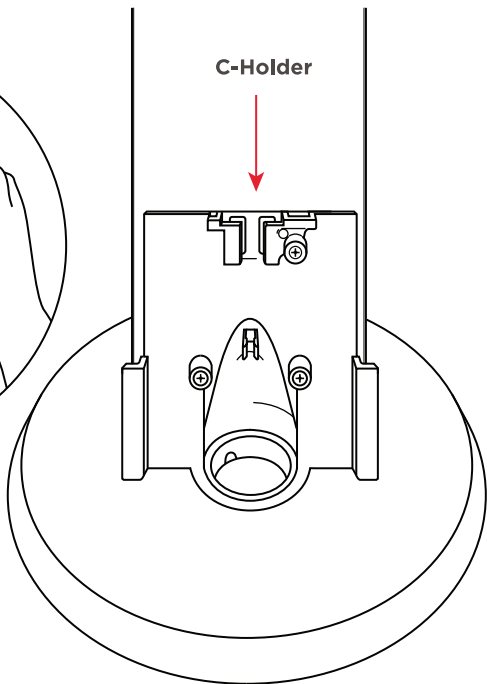
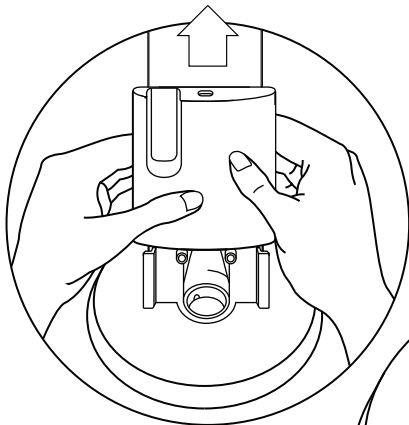
Weighted **Aluminum Base** with 120° rotation



SETUP

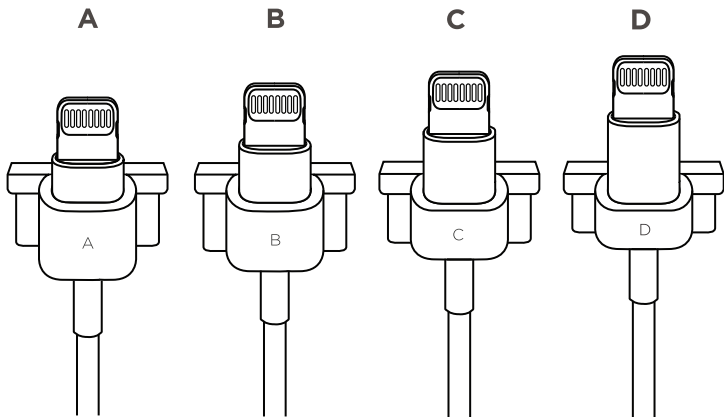
Before You Begin, Remove the Plastic Cover

Slide IONA's Plastic Cover off by pushing it upwards.

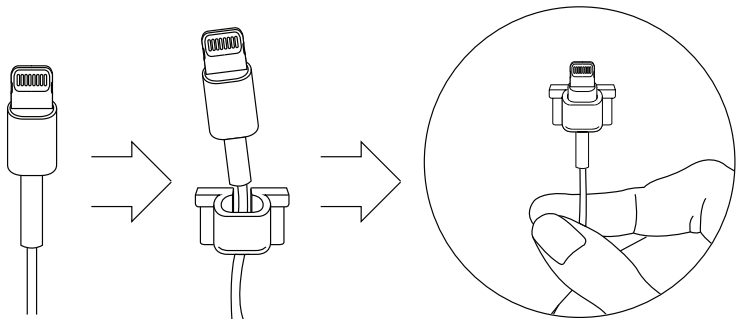


Step 1: Select a Spacer to use with your iPhone

Spacers are provided to attach your Lightning Connector to the dock's C-Holder. See below for which spacer to use with your case.



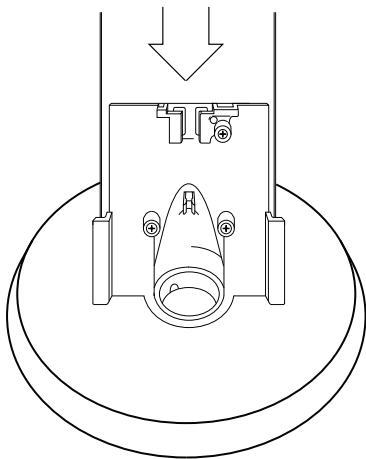
| | |
|---|---|
| A | Use with your iPhone without a case attached. |
| B | Use with thin cases. |
| C | Use with thin to medium thick cases. |
| D | Use with thicker cases. |

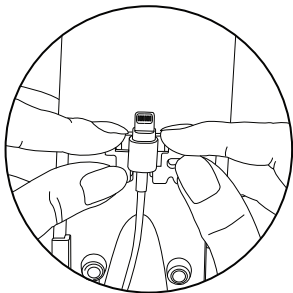


Step 2: Attach your Lightning cable to the appropriate Spacer

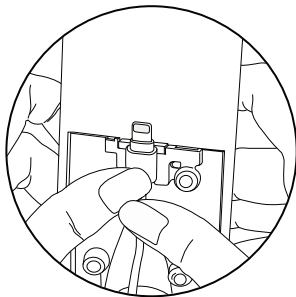
If you are not using a case, take your Lightning Connector and attach it to spacer A.

If you are using an iPhone case, use the other spacers provided.

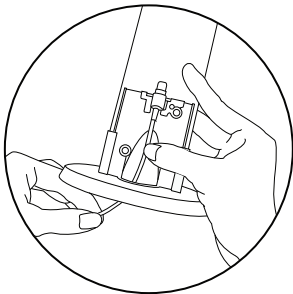




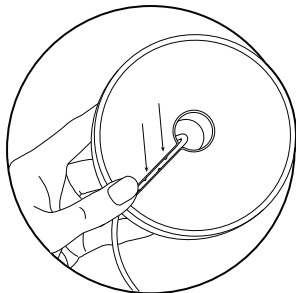
Step 3: Make sure the spacer fits snug in the C-Holder by pressing on both sides.



Step 4: Press the cable into the hook below the C-Holder.



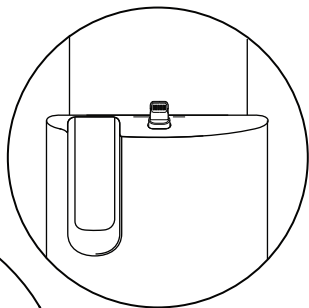
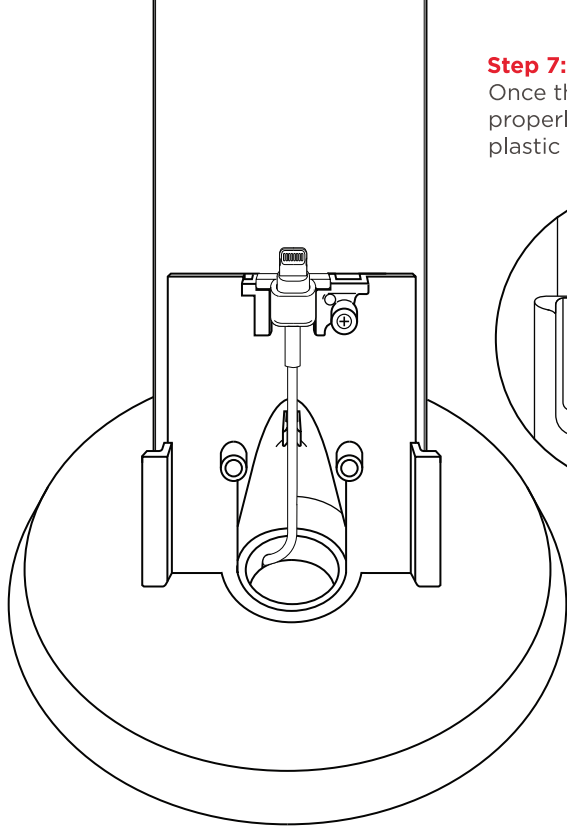
Step 5: Thread the rest of the cable through the hole in the bottom of the Aluminum base.



Step 6: Push the cable into the groove to secure the Lightning Cable.

Step 7:

Once the Lightning Cable is properly secured, slide the plastic cover back onto IONA.

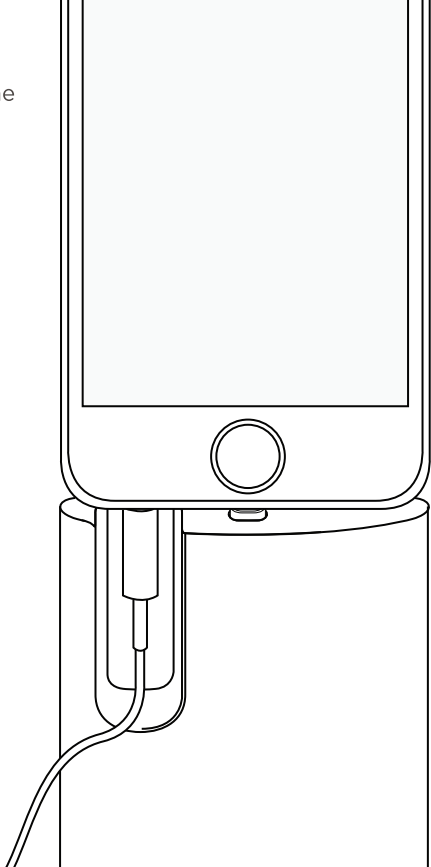


Final Steps:

Now you can dock your iPhone to IONA by attaching it to the secured Lightning port.

Audio

Attach an audio jack to the iPhone before docking.



Customer Support

ONLINE SUPPORT

Go to landingzone.net/support

PHONE SUPPORT

Call 888-872-3251 (Monday - Friday, 9:00 AM - 5:00 PM PST)

EMAIL SUPPORT

Send email to support@landingzone.net

CARE & CLEANING

Clean with a soft cloth. Use water and cleaning solution if needed.

DISPOSAL

Applicable laws may limit how you can dispose of this product. Accordingly, please make sure you follow your local, state, federal, and country ordinances, laws, regulations, or other guidelines to properly dispose of this product and the accompanying packaging materials. We recommend recycling any cardboard or boxes.

COPYRIGHT & TRADEMARK INFORMATION

© 2015 infiniWing, Inc. LandingZone is a registered trademark of infiniWing, Inc. The Lightning Cable and Lightning Connector are trademarks of Apple, Inc., registered in the U.S. infiniWing Inc. assumes no responsibility with regard to the performance of products mentioned.

For more information about LandingZone products, please go to www.LandingZone.net.

infiniWing, Inc.
1340 S. De Anza Blvd. Suite 102
San Jose, CA 95129

DISCOVER OUR MACBOOK DOCKS

- **LandingZone DOCK**

for the MacBook Pro®
with Retina display

- **LandingZone DOCK**

Express for the MacBook
Pro® with Retina display

- **LandingZone 2.0 PRO**

for the MacBook Air®

- **LandingZone 2.0 LITE**

for the MacBook Air®

More at www.LandingZone.net





THANK YOU